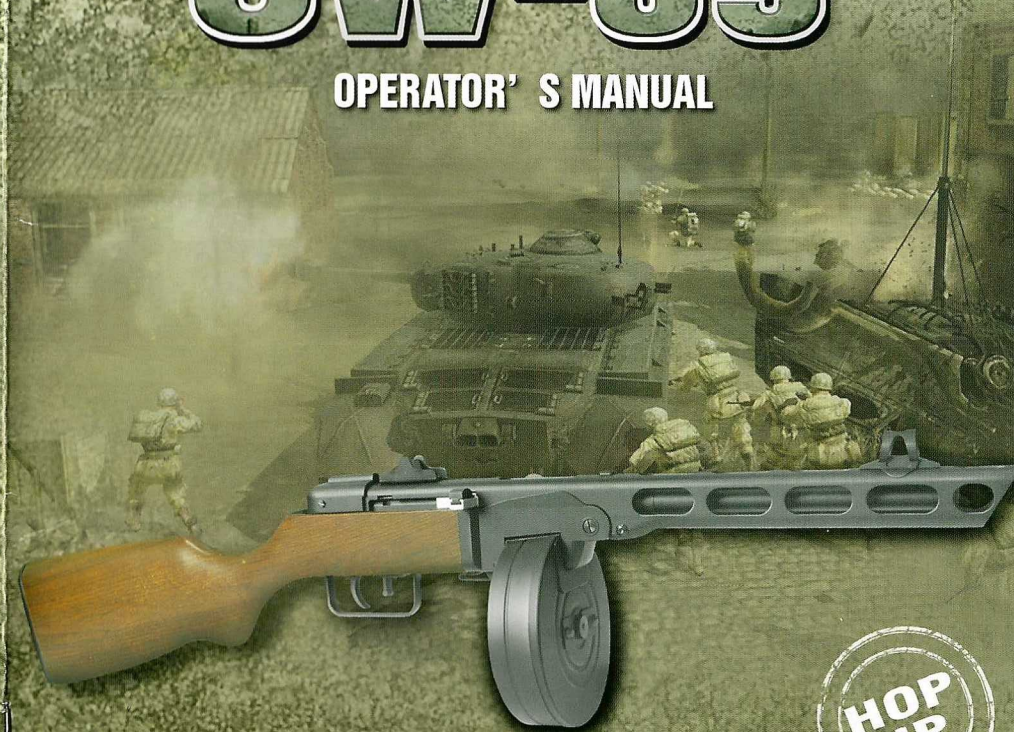




SNOW WOLF

# SW-09

OPERATOR'S MANUAL



HOP UP

60-MS



Warning!

This Product has been manufactured and sold pursuant to the laws and relevant regulations of Japan and based upon the societal attitude towards toy guns, etc. in Japan. No warranty is provided that this Product complies with the laws and regulations of any other countries. This English explanatory note concerning this Product is intended only for the information of a foreign user who uses this Product in Japan.

MADE IN CHINA

18 岁以上使用  
FOR AGES 18 YEARS AND UP

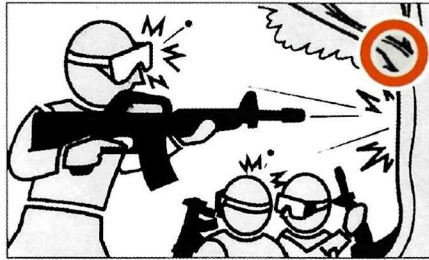


### ATTENTION (INSTRUCTION) PLEASE READ IT BEFORE USE IT.

It is for your to enjoy the fun of shoot that this soft ballistic gun is made. Various kinds of guns have their own features. So you should have sound comprehension before you enjoy the fun of safe shooting. The BB bullets can flight a distance of 20-30m. If it is not properly used, there would be some risk. So you have to read the instructions carefully before using it, And strictly follow them while using it, and then, you can enjoy the fun of shooting.

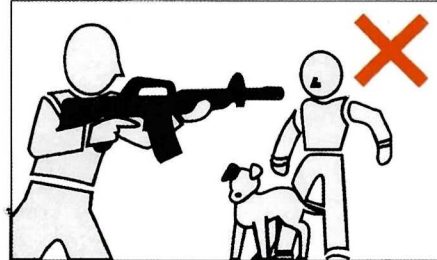
**ATTENTION** Please pay attention: you would probably be hurt because of carelessness or shooting mistake.

**ATTENTION** MAKE SURE TO WEAR PROTECTION GLASSES TO PROTECT YOUR EYES.



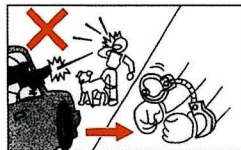
Make sure to wear protection glasses while shooting BB bullets or playing game. And the BB Bullet will go back once it hits hard object. (attention please don't point to people.)

**ATTENTION** DON'T POINT TO PEOPLE AND ANIMALS.



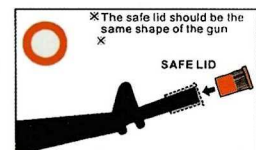
Please don't train the soft ballistic gun on people or animals. Please cover the muzzle with the safe lid, if you are not shooting.

**ATTENTION** YOU WILL BE PUNISHED IF YOU SHOOT MISCHIEVOUSLY.



Those who shoot mischievously or train the gun on people or animals will probably be punished by law.

**ATTENTION** THE SAFE LID SHOULD COVER THE MUZZLE.



Please cover the muzzle with the safe lid, so that the BB bullets won't be shot randomly.

**ATTENTION** DON'T LOOK CLOSE TO THE MUZZLE AT ANY TIME.



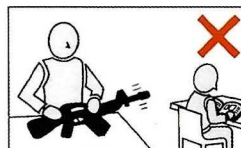
Your eyes will be hurt if the BB bullets shoots your eyes by chance, it is very dangerous. So don't look close to the muzzle at any time.

**ATTENTION** DON'T SHOOT CASUALLY.



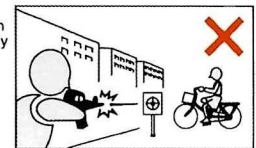
Shoot casually will cause great danger, so please shoot before you take away the lid, and aim at the object.

**ATTENTION** THE MUZZLE SHOULD BE DIRECTED AT THE SAFE DIRECTION.



The muzzle should not train on people or animals or any where that would cause danger. Please cover the lid except shooting.

**ATTENTION** DON'T SHOOT WHERE THERE ARE PEOPLE OR TRANSPORTATION.



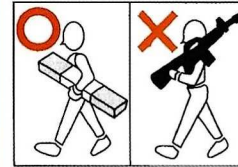
The soft ballistic shooting place should be in the safe arena, those places where there are people or transportation are not allowed to shoot.

■ YOU HAVE TO READ THE INSTRUCTION CAREFULLY BEFORE USING IT BECAUSE THE OPERATION IS DIFFERENT FROM THE NORMAL GUN.

■ THOSE INCIDENT, DANGER, HURT, REPAIR CAUSED BY THE WRONG WAY OF OPERATION, READJUSTMENT, DISMANTLE ARE CLAIMED TO BE THE RESPONSIBILITY.

### Always read through this manual before operation

**ATTENTION** PLEASE PUT IT IN A BAG OR BOX WHILE CARRYING IT.



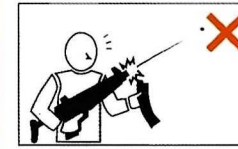
While carrying the soft ballistic gun, make sure the muzzle is tightly covered by the lid, and should be put in the bag or box.

**ATTENTION** KEEP IT OUT OF THE TOUCH OF THE LITTLE KIDS.



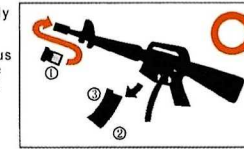
Please put it in the bag or box with the safe lid covered while not using it. And make sure to keep it out of the touch of kids that below 10.

**ATTENTION** YOU CAN CONDUCT BB BALLETS EVEN THOUGH THE BALLISTIC BOX.



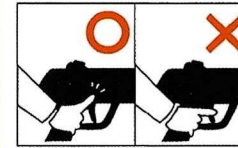
The BB bullets may probably leave in the gun body even you take away the ballistic box, which is very dangerous. So please cover the muzzle with the safe lid after taking away the ballistic box.

**ATTENTION** PLEASE COVER IT WITH STICKY TAPE.



Cover the muzzle with the safe lid. Attach the sticky paper to anywhere that is possible to conduct shooting. Please take away the ballistic box.

**ATTENTION** DON'T PULL THE TRIGGER EXPECT YOU WANT TO SHOOT.



Don't pull the trigger except you want to shoot. It is very danger if pull trigger because of spring.

**ATTENTION** DON'T DISMANTLE THE GUN BODY.



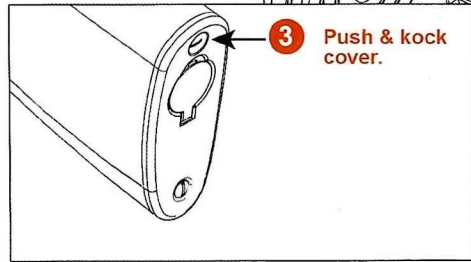
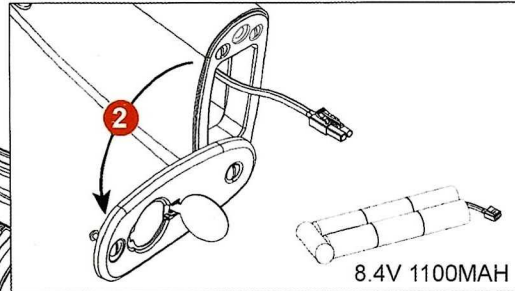
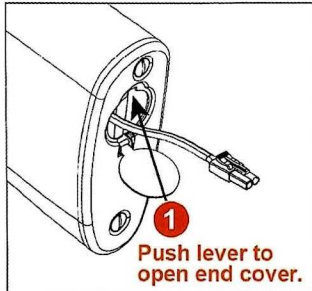
The dismantlement of the gun body would easily cause trouble, incident, which is really dangerous. So please don't dismantle the gun body.

### ATTENTION

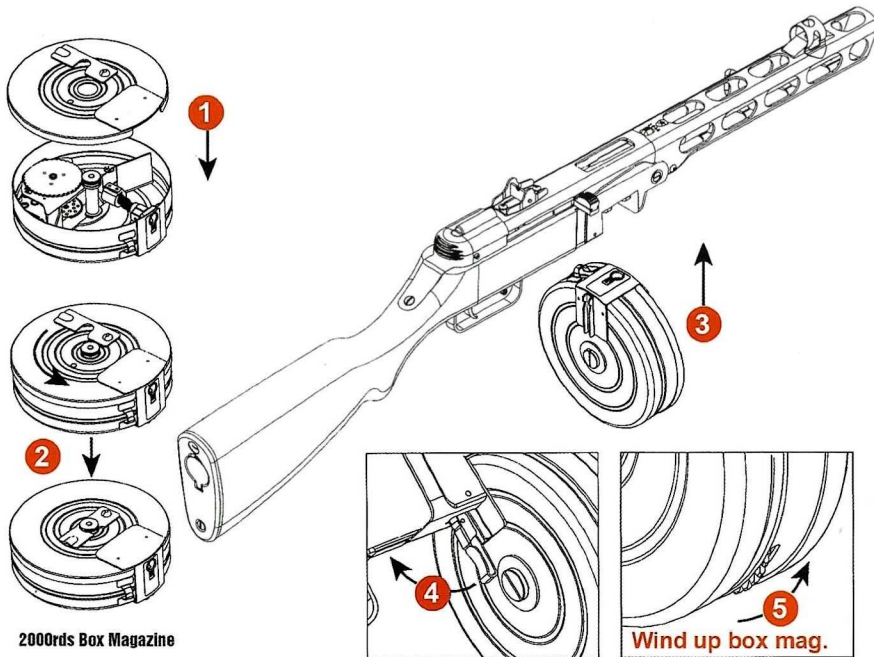
- THIS SOFT BALLISTIC GUN IS INSTALLED WITH 6MM BB BALLETS WHICH CAN SHOOT IN A DISTANCE OF 20-30M WHILE USING THIS GUN. YOU HAVE TO CONCERN ALL KINDS OF RISKS, MAKE SURE TO USE IT IN A ABSOLUTE SAFE CONDITION.
- WHILE PLAYING GAMES, PLEASE MAKE SURE THE SAFE CONDITION WHERE THE BB BALLETS MAY POSSIBLY REACH. MAKE SURE THE SECURITY OF THAT THOSE WHO DON'T WEAR PROTECTION GLASSES OR THE SPECTATORS.
- THE MUZZLE SHOULD NOT BE DIRECTED AT GLASS, BULB, FLUORESCENT LAMP, OR HOUSE MACHINE, TEA SET, OR PLATE, FURNITURE, GAS BOTTLE ETC. BECAUSE OF THE DANGER CAUSED BY BROKEN.
- EXCEPT BB BALLETS, NOTHING CAN BE PUT INTO BALLISTIC BOX AND SHOOTING MACHINE.
- THE FINGER CAN INSERT INTO CERTAIN SPOT ACCORDING TO THE SHAPE OF GUN, BUT PLEASE DON'T PUT YOUR FINGER INTO THE GAP OF THE GUN BODY.
- MAKE SURE THE GUN IS PLACE IN THOSE PLACE WHERE IS NOT EASY TO FALL, AND SHOULD BE OUT OF THE REACH OF THE KIDS BELOW 10. WHAT'S MORE, IN ORDER TO PREVENT THE NAUGHTY KIDS, THE MUZZLE SHOULD BE COVERED WITH SAFE LID, AND SHOULD BE PUT IN BAG OR BOX.
- WHEN YOU FOLLOW THE RIGHT WAYS (ACCORDING TO THE INSTRUCTION), BUT STILL CAN SHOOT BB BALLETS, OR WHEN YOU CAN'T REPAIR BECAUSE OF THE BREAKDOWN CAUSED BY THE GETTING OLD, OR THE FALL DOWN CAUSED BY THE WRONG OPERATION, PLEASE SEND TO THE STORE WHERE YOU GET IT OR MAIL IT TO HAVE IT REPAIRED.
- IF YOU OPERATE PROPERLY, IT CAN CONDUCT 1000 ROUNDS OF BALLETS, AND THE ACCESSORIES CAN BE REPLACED. IF YOU CAN'T DO IT, THAT MEANS THERE IS SOMETHING WRONG IN IT. PLEASE SEND IT TO THE STORE WHERE YOU GET IT OR MAIL IT TO HAVE IT EXAMINED OR CHANGE THE PARTS.

## Insert Battery

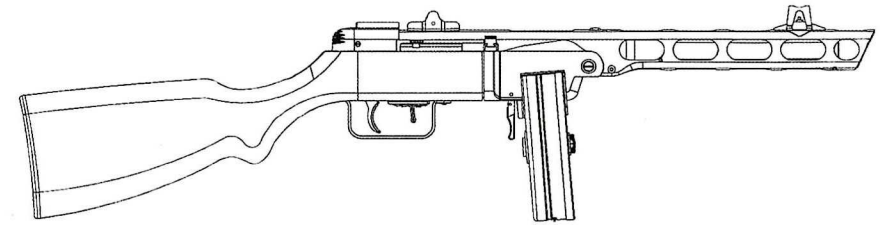
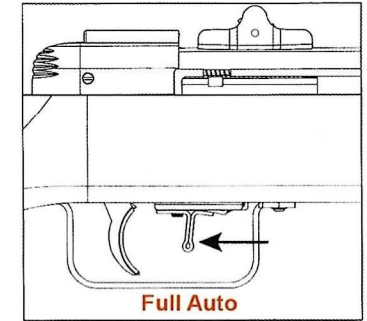
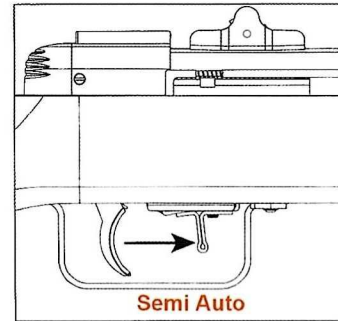
8.4V 1100MAH



## Setting Magazine



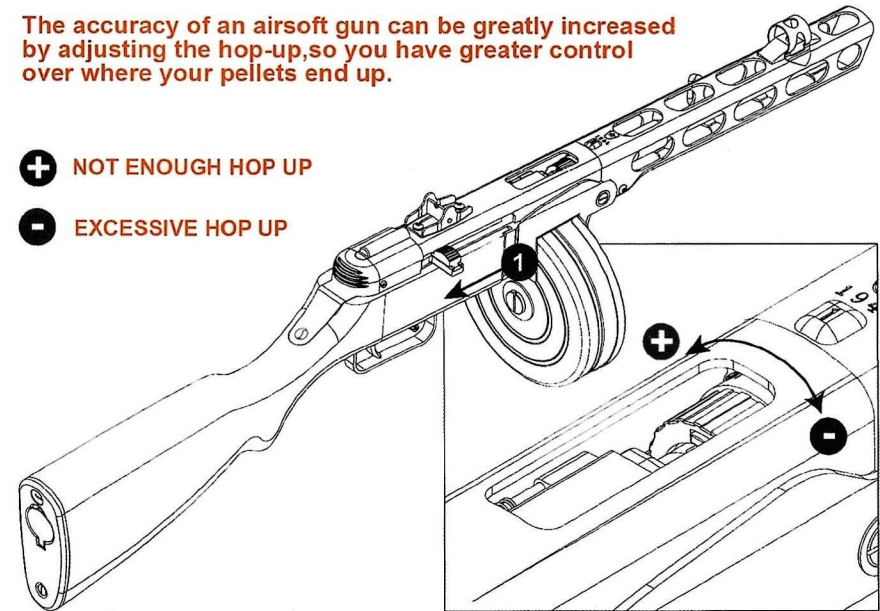
## Firing Mode



## Hop Up Adjustment

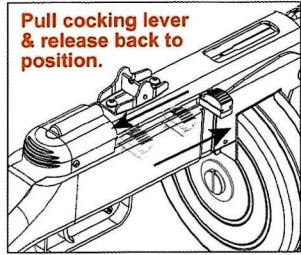
The accuracy of an airsoft gun can be greatly increased by adjusting the hop-up, so you have greater control over where your pellets end up.

- ⊕ NOT ENOUGH HOP UP
- ⊖ EXCESSIVE HOP UP

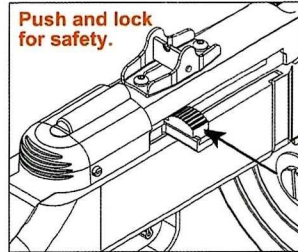


## Bolt Release/Safety

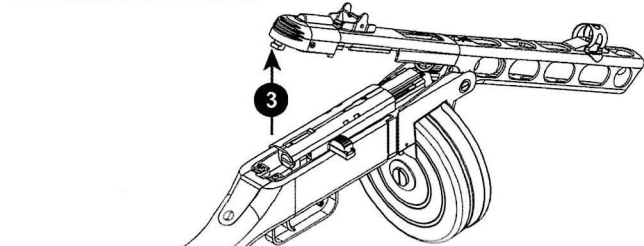
Pull cocking lever & release back to position.



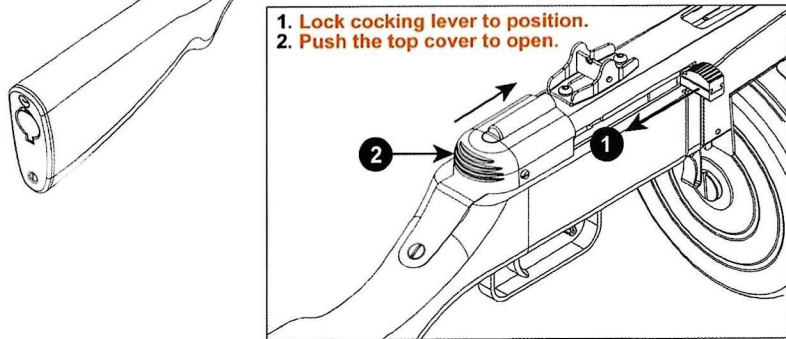
Push and lock for safety.



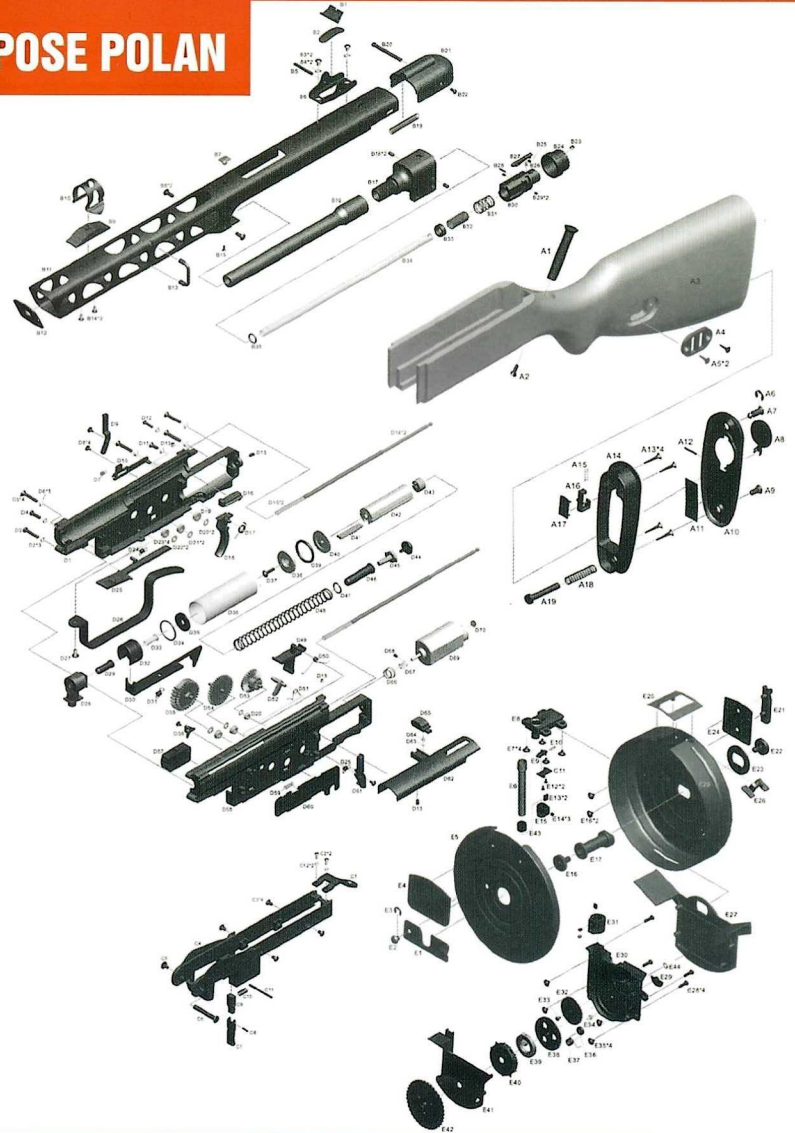
## Others



1. Lock cocking lever to position.
2. Push the top cover to open.



## EXPOSE POLAN



## DATA OF ARES PSH ELECTRIC GUN

